

TOWEL BAR



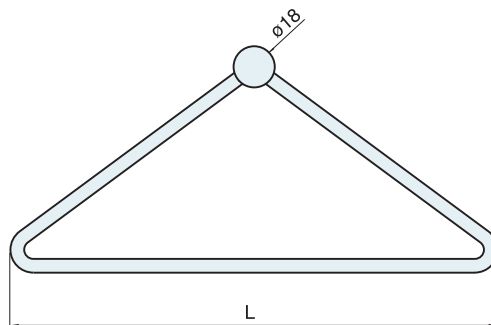
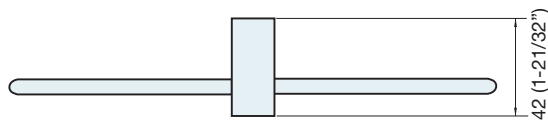
DST-06

- Supplied with screw, bracket, plastic expansion anchor and allen key.



DST-06/L

DST-06/S



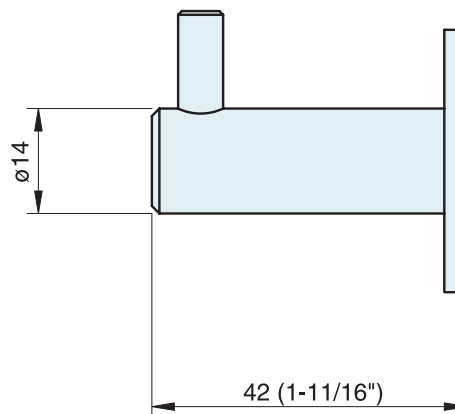
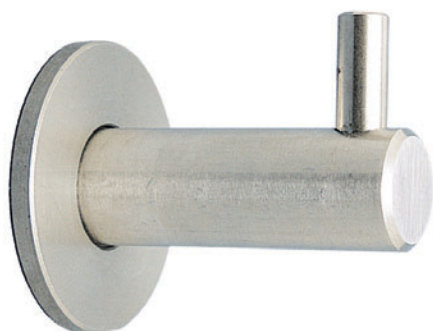
Item No.	L	Weight (g)	Box (pcs)	Carton (pcs)	Material	Finish
DST-06/S	213 (8-25/64")	173	1	10	303/304 Stainless Steel	Satin
DST-06/L	390 (15- 3/8")	241				

HOOK



DSH-01

- Supplied with screw, bracket, plastic expansion anchor and allen key.



Item No.	Weight (g)	Box (pcs)	Carton (pcs)	Material	Finish
DSH-01	71	25	250	303/304 Stainless Steel	Satin