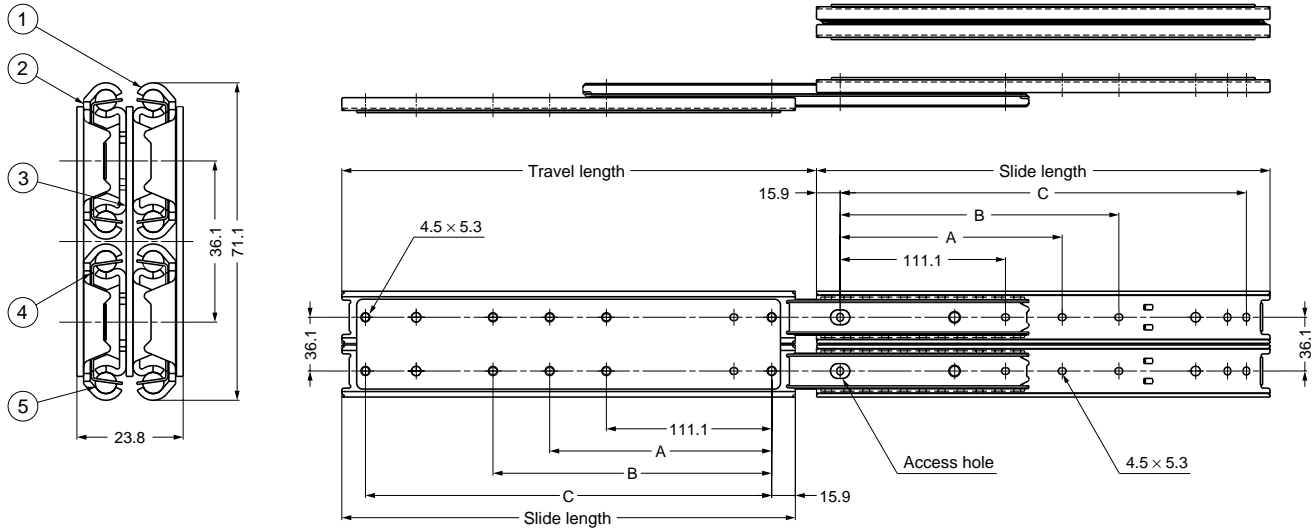


# SSR-10

## HEAVY DUTY STAINLESS STEEL DRAWER SLIDE THREE MEMBER FULL EXTENSION POSITIVE LOCK



\*DIAGRAM VALUES ARE IN METRIC

PART NO	SLIDE LENGTH	TRAVEL LENGTH	LOAD RATING			
			(KG/PAIR)			
SSR-10-12	304.8 (12")	319 (12.56")	272 (599 LBS)	-	149.2	273
SSR-10-14	355.6 (14")	369.8 (14.56")	268 (590 LBS)	-	200	323.8
SSR-10-16	406.4 (16")	420.6 (16.56")	259 (570 LBS)	-	250.8	374.6
SSR-10-18	457.2 (18")	471.4 (18.56")	250 (550 LBS)	212.7	301.6	425.4
SSR-10-20	508 (20")	522.2 (20.56")	241 (530 LBS)	238.1	352.4	476.2
SSR-10-22	558.8 (22")	573 (22.56")	229 (504 LBS)	263.5	403.2	527
SSR-10-24	609.6 (24")	623.8 (24.56")	216 (475 LBS)	288.9	454	577.8
SSR-10-26	660.4 (26")	674.6 (26.56")	200 (440 LBS)	314.3	504.8	628.6
SSR-10-28	711.2 (28")	725.4 (28.56")	182 (400 LBS)	339.7	555.6	679.4

NO	PART	MATERIAL
1	OUTER RAIL	SUS304BA
2	INNER RAIL	SUS304BA
3	INTERMEDIATE MEMBER	SUS304BA
4	RETAINER	SUS304BA
5	BALLS	SUS304

M4 blind or truss screws to be used.  
Compatible for right and left sides.

### MOUNTING INSTRUCTIONS

#### 1. Marking slide position on both cabinet and drawer

- Position front edge of cabinet member to meet the rear of front panel of drawer when the drawer is in a closed position. Draw a line for the slide when it is level, then, fully extend the slide to mark the screw location to both cabinet and drawer. Make sure that the position of the slide is at the front edge to meet the rear of front panel of drawer.

#### 2. Mounting cabinet member to the cabinet

- Attach the slide to the cabinet using the marks made for the screw holes on both sides of the cabinet.

#### 3. Mounting drawer member to drawer

- Attach the slide to the drawer at the previously marked spots.

Note: If a retainer or rail covers a screw hole, slide rail until you see an access hole.

