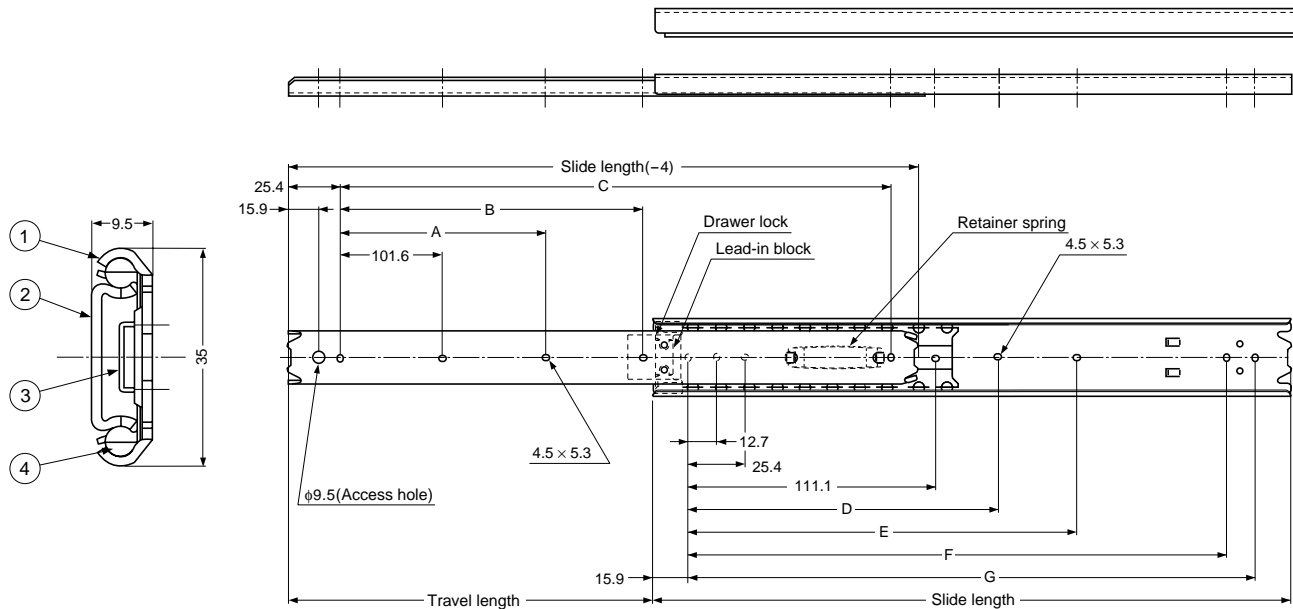


SSR-8

STAINLESS STEEL DRAWER SLIDE TWO MEMBER 3/4 EXTENSION FRONT DISCONNECT POSITIVE LOCK

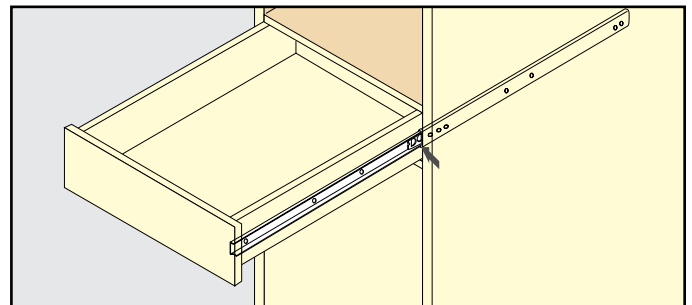


*DIAGRAM VALUES ARE IN METRIC

PART NO	SLIDE LENGTH	TRAVEL LENGTH	LOAD RATING							
			(KG/PAIR)	A	B	C	D	E	F	G
SSR-8-12	304.8 (12")	228.6 (9")	49 (107 LBS)	-	152.4	254	-	149.2	260.3	273
SSR-8-14	355.6 (14")	279.4 (11")	47 (103 LBS)	-	203.2	304.8	-	200	311.1	323.8
SSR-8-16	406.4 (16")	304.8 (12")	43 (94 LBS)	-	254	355.6	-	250.8	361.9	374.6
SSR-8-18	457.2 (18")	330.2 (13")	41 (90 LBS)	203.2	304.8	406.4	212.7	301.6	412.7	425.4
SSR-8-20	508 (20")	381 (15")	37 (81 LBS)	228.6	355.6	457.2	238.1	352.4	463.5	476.2
SSR-8-22	558.8 (22")	406.4 (16")	34 (74 LBS)	254	406.4	508	263.5	403.2	514.3	527
SSR-8-24	609.6 (24")	431.8 (17")	30 (66 LBS)	279.4	457.2	558.8	288.9	454	565.1	577.8
SSR-8-26	660.4 (26")	482.6 (19")	27 (59 LBS)	304.8	508	609.6	314.3	504.8	615.9	628.6
SSR-8-28	711.2 (28")	508 (20")	25 (55 LBS)	330.2	558.8	660.4	339.7	555.6	666.7	679.4

NO	PART	MATERIAL
1	OUTER RAIL	SUS304BA
2	INNER RAIL	SUS304BA
3	RETAINER	SUS304BA
4	BALL BEARINGS	SUS304

M4 bind or truss screws to be used.
Compatible for right and left sides.
The inner rail can be disconnected by pressing the drawer lock.



MOUNTING INSTRUCTIONS

1. Separate the drawer and cabinet member by pressing the drawer lock and firmly pulling through the friction resistance.
2. Mount the outer rails to the cabinet by positioning the front end (where the plastic member is located) to the front edge of the cabinet. If the drawer is to be mounted flush with the cabinet, please allow space for the thickness of the drawer face when installing outer rails.
3. Mount the inner rails to the drawer by positioning the front end (where the access hole is located) of the slide behind the face of the drawer.

Sugatsune America, Inc.

221 East Selandia Lane Carson, CA 90746
TEL 800-562-5267 FAX 310-329-6373