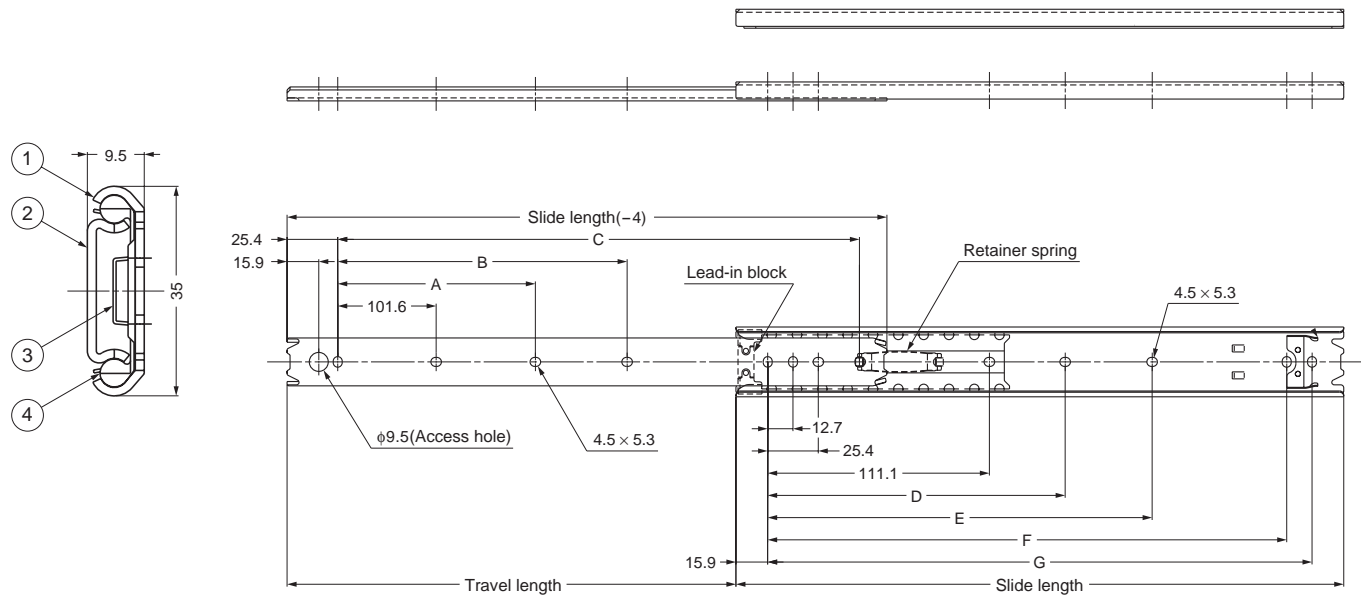


SSR-1

STAINLESS STEEL DRAWER SLIDE

TWO MEMBER 3/4 EXTENSION

FRONT DISCONNECT FRICTION BRAKE STOP

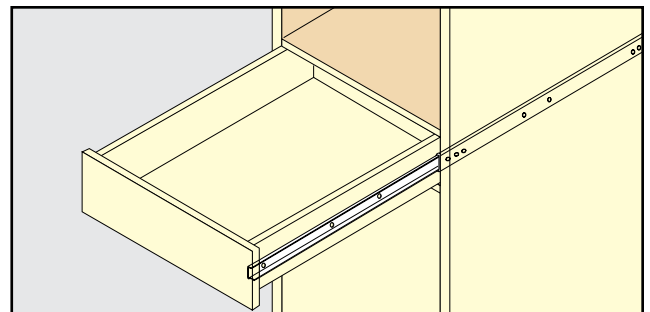


*diagram values are in metric

PART NO	SLIDE LENGTH	TRAVEL LENGTH	LOAD RATING						
			(lbs/PAIR)						
			A	B	C	D	E	F	
SSR-1-12	12.00	9.00	108	-	6.00	10.00	-	5.87	10.25
SSR-1-14	14.00	11.00	104	-	8.00	12.00	-	7.87	12.25
SSR-1-16	16.00	12.00	95	-	10.00	14.00	-	9.87	14.25
SSR-1-18	18.00	13.00	90	8.00	12.00	16.00	8.37	11.87	16.25
SSR-1-20	20.00	15.00	82	9.00	14.00	18.00	9.37	13.87	18.25
SSR-1-22	22.00	16.00	75	10.00	16.00	20.00	10.37	15.87	20.25
SSR-1-24	24.00	17.04	66	11.00	18.00	22.00	11.37	17.87	22.25
SSR-1-26	26.00	19.00	59	12.00	20.00	24.00	12.37	19.87	24.25
SSR-1-28	28.00	20.00	55	13.00	22.00	26.00	13.37	21.87	26.25

NO	PART	MATERIAL
1	OUTER RAIL	SUS304BA
2	INNER RAIL	SUS304BA
3	RETAINER	SUS304BA
4	BALL BEARINGS	SUS304

*values in chart are in inches



NOTE 1) Compatible for right & left sides.

NOTE 2) M4 bind or truss screws to be used

Inner member can be easily front disconnected by extra force after fully extended.

MOUNTING INSTRUCTIONS

1. Separate the drawer and cabinet member by pulling firmly through the friction resistance.
2. Mount the outer rails to the cabinet by positioning the front end (where the plastic member is located) to the front edge of the cabinet. If the drawer is to be mounted flush with the cabinet, please allow space for the thickness of the drawer face when installing outer rails.
3. Mount the inner rails to the drawer by positioning the front end (where the access hole is located) of the slide behind the face of the drawer.