

SSR-2 TWO MEMBER SLIDE

UNDER CARRIAGE MOUNTING WITH BRACKET

3/4 EXTENSION

FRONT DISCONNECT

FRICITION BRAKE STOP



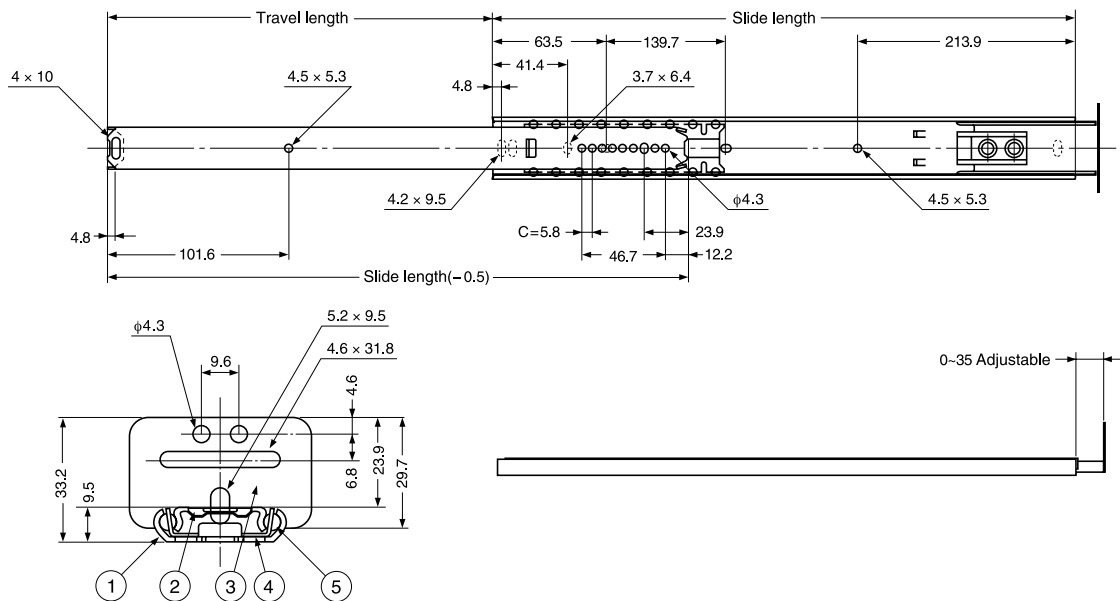
LOAD RATING
5-8kg
11-18lbs



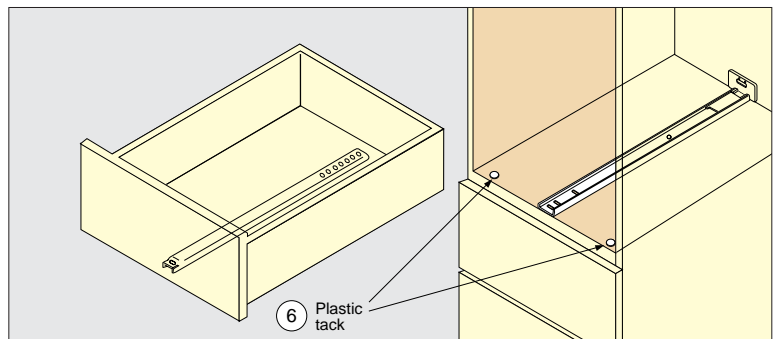
NOTE 1) M4 bind or truss head screws to be used.

Two pcs. of plastic tacks supplied per rail.

Screws not included.



No.	Part	Material
①	Outer Rail	304 Stainless Steel BA
②	Inner Rail	
③	Bracket	
④	Retainer	
⑤	Balls	304 Stainless Steel
⑥	Plastic Tack	Polyamide



Item No.	Slide Length	Travel Length	# of Holes		Load Rating (kg/pc)	Weight (g)	Box (pcs)
			Inner Rail	Outer Rail			
SSR-2-12	323.8 (12-3/4")	215.9 (8-1/2")	11	7	8 (18 lbs)	340	20
SSR-2-14	374.6 (14-3/4")	266.7 (10-1/2")	11	7	7.5 (17 lbs)	400	20
SSR-2-16	425.4 (16-3/4")	304.8 (12")	11	6	7 (15 lbs)	450	20
SSR-2-18	476.2 (18-3/4")	317.5 (12-1/2")	11	7	7 (15 lbs)	490	20
SSR-2-20	527 (20-3/4")	368.3 (14-1/2")	11	7	6.5 (14 lbs)	530	20
SSR-2-22	577.8 (22-3/4")	419.1 (16-1/2")	11	7	6 (13 lbs)	630	20
SSR-2-24	628.6 (24-3/4")	444.5 (17-1/2")	11	7	5.5 (12 lbs)	690	20
SSR-2-26	679.4 (26-3/4")	495.3 (19-1/2")	11	7	5 (11 lbs)	720	20