

SSR-1 TWO MEMBER SLIDE

3/4 EXTENSION
 FRONT DISCONNECT
 FRICTION BRAKE STOP
 NON-HANDED

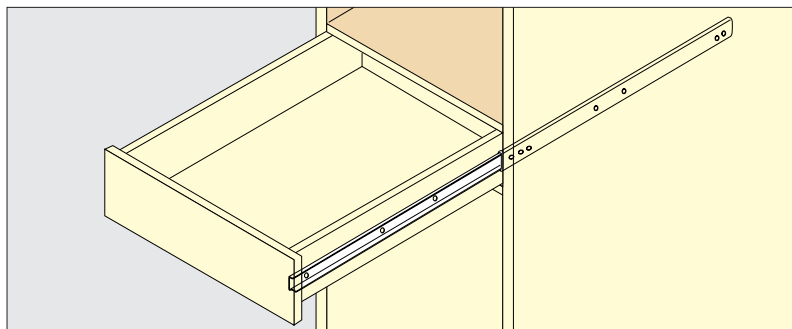
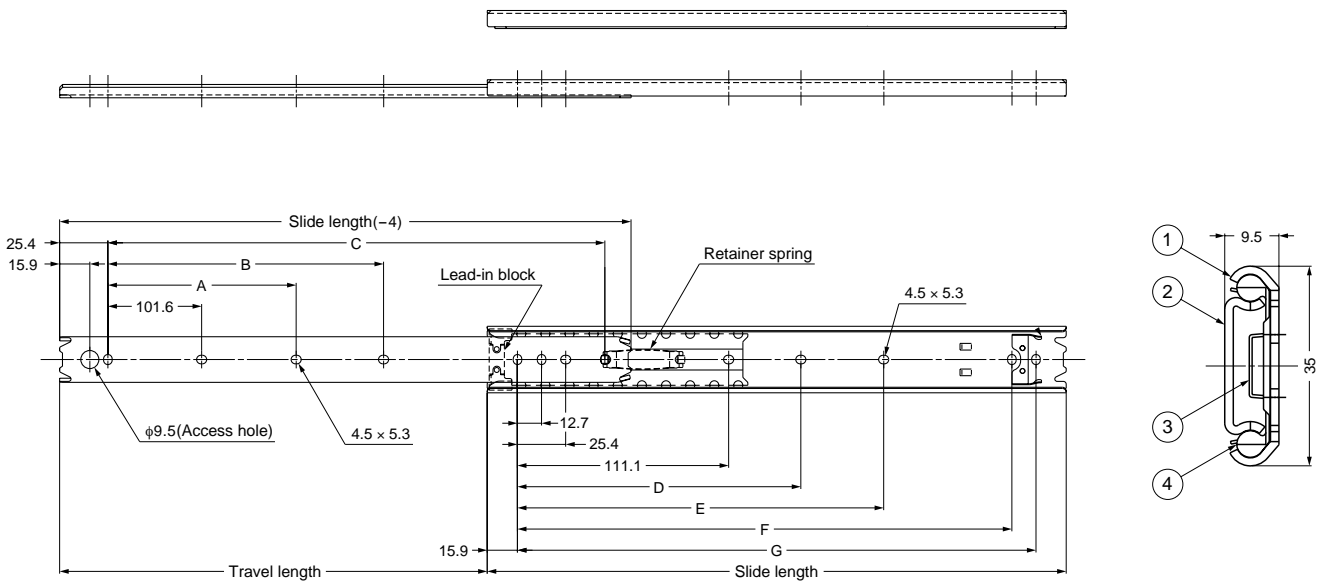


LOAD RATING
 25-49 kg
 55-107 lbs



(NOTE) M4 bind or truss head screws to be used.

Screws not included.



No.	Part	Material
①	Outer Rail	304 Stainless Steel BA
②	Inner Rail	
③	Retainer	
④	Balls	304 Stainless Steel

Item No.	Slide Length	Travel Length	A	B	C	D	E	F	G	# of Holes		Load Rating (kg/pair)	Weight (g)	Box (pcs)
										Inner Rail	Outer Rail			
SSR-1-12	304.8 (12")	228.6 (9")	-	152.4	254	-	149.2	260.3	273	4	7	49 (107 lbs)	300	20
SSR-1-14	355.6 (14")	279.4 (11")	-	203.2	304.8	-	200	311.1	323.8	4	7	47 (103 lbs)	360	20
SSR-1-16	406.4 (16")	304.8 (12")	-	254	355.6	-	250.8	361.9	374.6	4	7	43 (94 lbs)	420	20
SSR-1-18	457.2 (18")	330.2 (13")	203.2	304.8	406.4	212.7	301.6	412.7	425.4	5	8	41 (90 lbs)	460	20
SSR-1-20	508 (20")	381 (15")	228.6	355.6	457.2	238.1	352.4	463.5	476.2	5	8	37 (81 lbs)	490	20
SSR-1-22	558.8 (22")	406.4 (16")	254	406.4	508	263.5	403.2	514.3	527	5	8	34 (74 lbs)	560	20
SSR-1-24	609.6 (24")	431.8 (17")	279.4	457.2	558.8	288.9	454	565.1	577.8	5	8	30 (66 lbs)	590	20
SSR-1-26	660.4 (26")	482.6 (19")	304.8	508	609.6	314.3	504.8	615.9	628.6	5	8	27 (59 lbs)	660	20
SSR-1-28	711.2 (28")	508 (20")	330.2	558.8	660.4	339.7	555.6	666.7	679.4	5	8	25 (55 lbs)	690	20