

# SSR-7 THREE MEMBER SLIDE



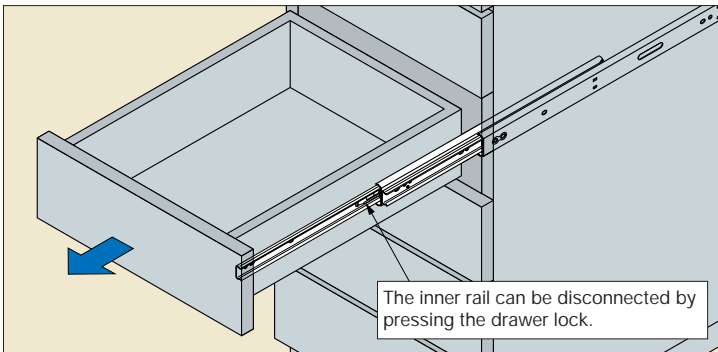
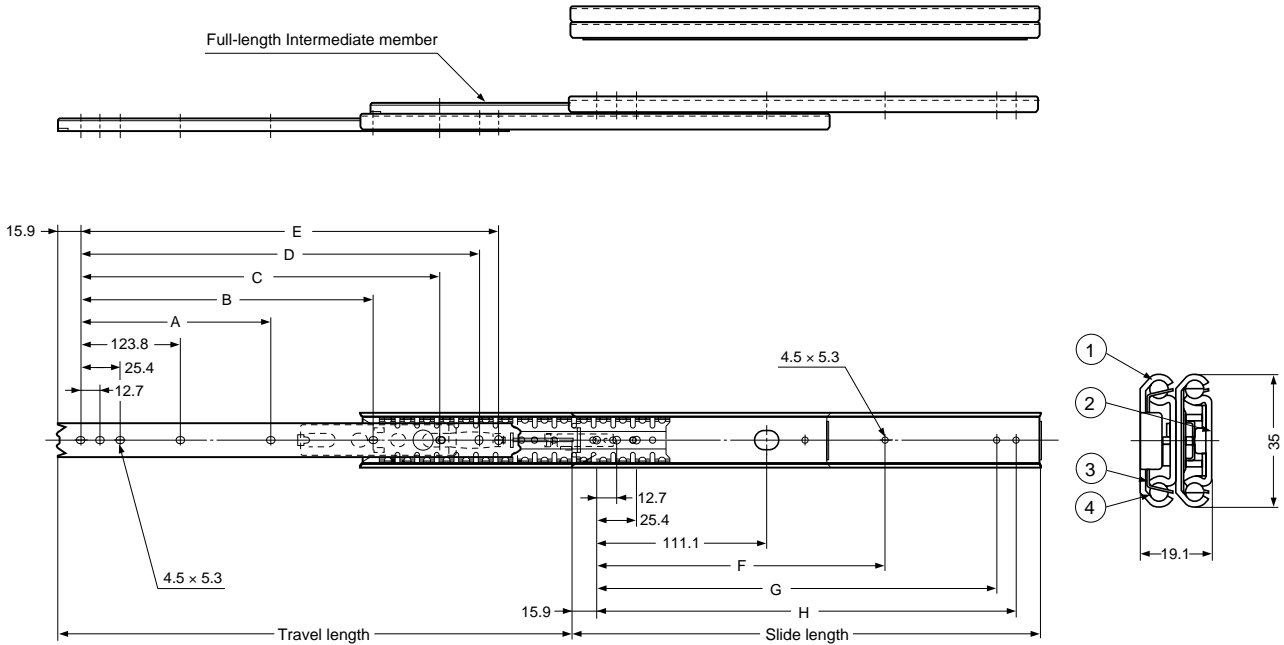
**LOAD RATING**  
36-64kg  
79-139lbs

- FULL EXTENSION
- FRONT DISCONNECT
- POSITIVE LOCK
- NON-HANDED



NOTE ) M4 bind or truss head screws to be used.

Screws not included.



No.	Part	Material
①	Outer Rail	304 Stainless Steel BA
②	Inner Rail	
③	Retainer	
④	Balls	304 Stainless Steel

Item No.	Slide Length	Travel Length	A	B	C	D	E	F	G	H	# of Holes		Load Rating (kg/pair)	Weight (g)	Box (pcs)
											Inner Rail	Outer Rail			
SSR-7-12	304.8 (12")	336 (13-7/32")	-	-	-	260.3	273	-	260.3	273	5	6	64 (139 lbs)	640	10
SSR-7-14	355.6 (14")	386.8 (15-7/32")	-	-	298.4	311.1	323.8	-	311.1	323.8	6	6	60 (131 lbs)	740	10
SSR-7-16	406.4 (16")	437.6 (17-7/32")	-	-	349.2	361.9	374.6	250.8	361.9	374.6	6	7	57 (124 lbs)	840	10
SSR-7-18	457.2 (18")	488.4 (19-7/32")	212.7	-	400	412.7	425.4	301.6	412.7	425.4	7	7	53 (115 lbs)	950	10
SSR-7-20	508 (20")	539.2 (21-7/32")	238.1	365.1	450.8	463.5	476.2	352.4	463.5	476.2	8	7	49 (106 lbs)	1030	10
SSR-7-22	558.8 (22")	590 (23-7/32")	263.5	415.9	501.6	514.3	527	403.2	514.3	527	8	7	45 (99 lbs)	1150	10
SSR-7-24	609.6 (24")	640.8 (25-7/32")	288.9	466.7	552.4	565.1	577.8	454	565.1	577.8	8	7	42 (92 lbs)	1280	10
SSR-7-26	660.4 (26")	691.6 (27-7/32")	314.3	517.5	603.2	615.9	628.6	504.8	615.9	628.6	8	7	39 (85 lbs)	1400	10
SSR-7-28	711.2 (28")	742.4 (29-7/32")	339.7	568.3	654	666.7	679.4	555.6	666.7	679.4	8	7	36 (79 lbs)	1500	10