

SSR-4 THREE MEMBER SLIDE

FULL EXTENSION

QUICK DISCONNECT

POSITIVE STOP

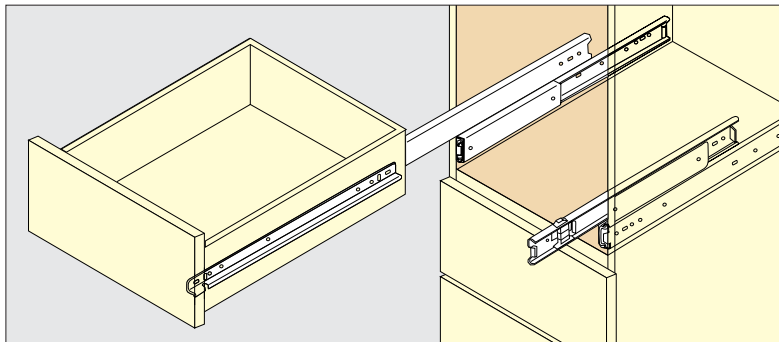
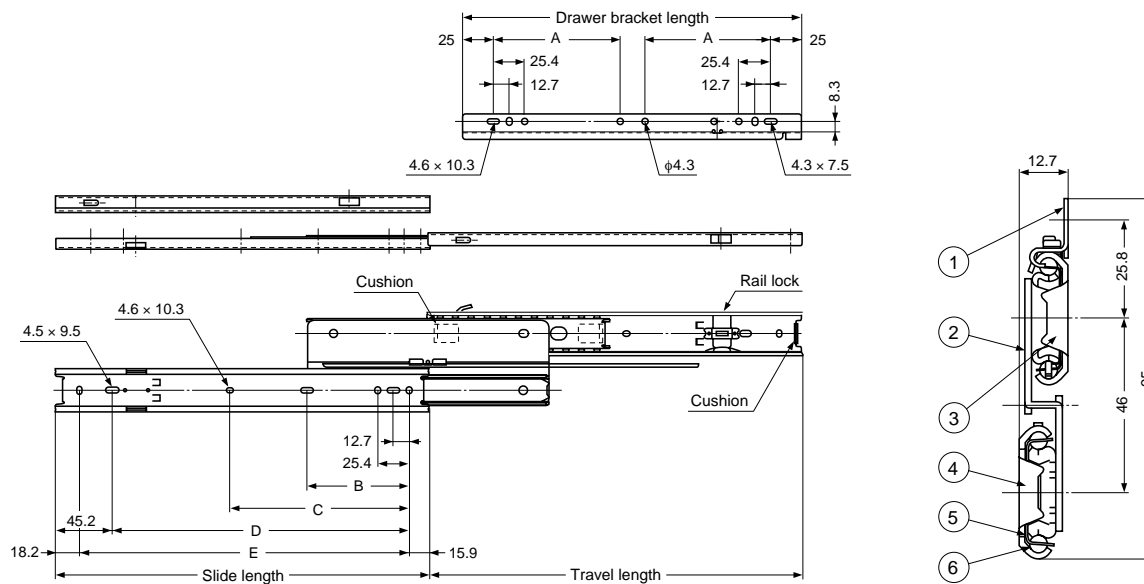

LOAD RATING
 45-68kg
 99-149lbs


- Drawer bracket attaches to the drawer.
- The drawer can be disconnected by actuating the drawer rail lock.

Screws not included.

NOTE 1) Sold as a pair.

NOTE 2) M4 blind or truss head screws to be used.



No.	Part	Material
①	Drawer Bracket	304 Stainless Steel BA
②	Intermediate Member	
③	Inner Rail	
④	Outer Rail	
⑤	Retainer	
⑥	Balls	304 Stainless Steel

Item No.	Slide Length	Travel Length	Drawer Bracket Length	A	B	C	D	E	# of Holes Outer Rail	Load Rating (kg/pair)	Weight (g)	Box (pairs)
SSR-4-12	301.6 (11-7/8")	300.6 (11-27/32")	273 (10-3/4")	101.6	-	145.3	240.5	267.5	6	68 (149 lbs)	780	5
SSR-4-14	352.4 (13-7/8")	351.4 (13-27/32")	273 (10-3/4")	101.6	-	196.1	291.3	318.3	6	64 (140 lbs)	940	5
SSR-4-16	403.2 (15-7/8")	402.2 (15-27/32")	375 (14-49/64")	101.6	-	246.9	342.1	369.1	6	64 (140 lbs)	1100	5
SSR-4-18	454 (17-7/8")	453 (17-27/32")	375 (14-49/64")	101.6	225.4	297.7	392.9	419.9	7	59 (129 lbs)	1250	5
SSR-4-20	504.8 (19-7/8")	503.8 (19-27/32")	375 (14-49/64")	101.6	250.8	348.5	443.7	470.7	7	55 (121 lbs)	1400	5
SSR-4-22	555.6 (21-7/8")	554.6 (21-27/32")	527 (20-3/4")	177.8	276.2	399.3	494.5	521.5	7	55 (121 lbs)	1590	5
SSR-4-24	606.4 (23-7/8")	605.4 (23-27/32")	527 (20-3/4")	177.8	301.6	450.1	545.3	572.3	7	50 (110 lbs)	1730	5
SSR-4-26	657.2 (25-7/8")	656.2 (25-27/32")	575.3 (22-21/32")	177.8	327	500.9	596.1	623.1	7	45 (99 lbs)	1900	5
SSR-4-28	704.8 (27-3/4")	700.6 (27-37/64")	575.3 (22-21/32")	177.8	352.4	548.5	643.7	670.7	7	45 (99 lbs)	2040	5