

SSR-6 THREE MEMBER SLIDE

FULL EXTENSION
POSITIVE STOP
NON-HANDED



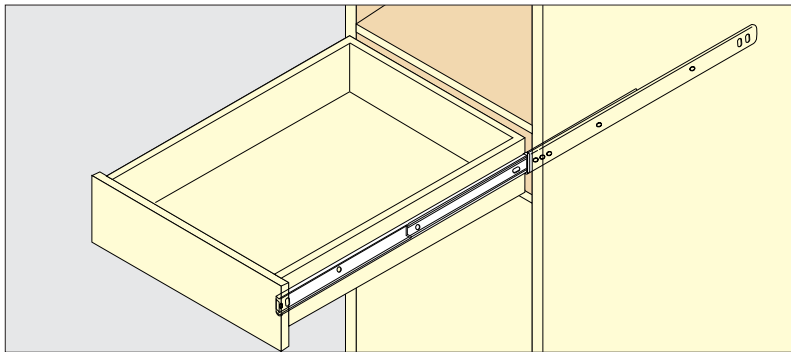
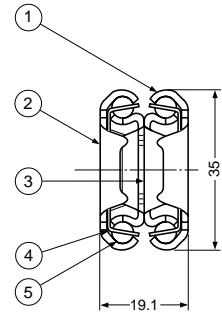
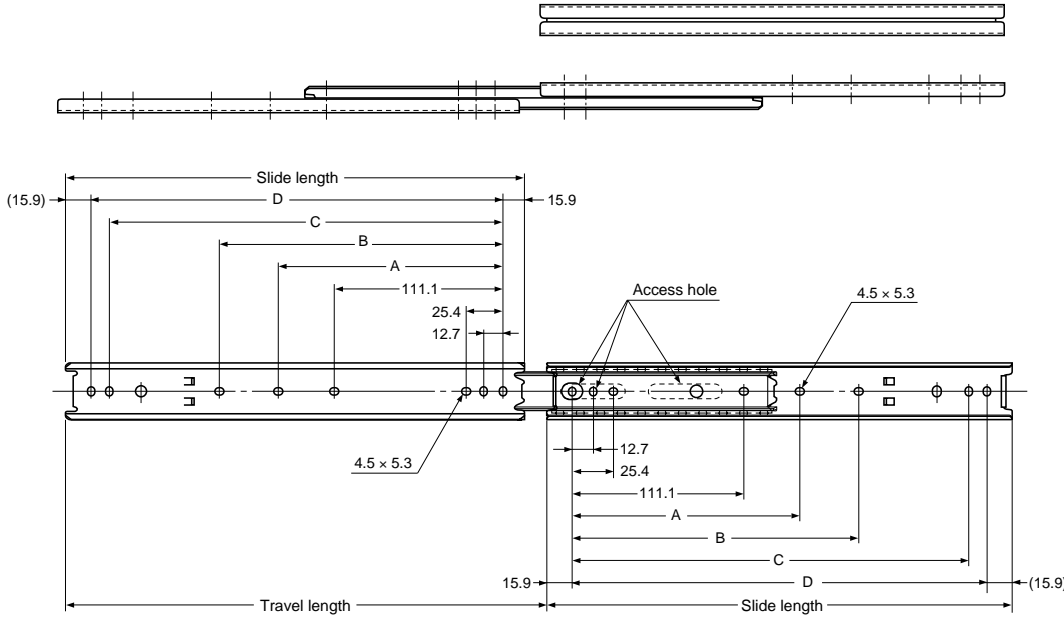
LOAD RATING
41-80kg
90-176lbs



Option: Positive catch

NOTE) M4 bind or truss head screws to be used.

Screws not included.



No.	Part	Material
①	Drawer Member	304 Stainless Steel BA
②	Cabinet Member	
③	Intermediate Member	
④	Retainer	
⑤	Balls	304 Stainless Steel

Item No.	Slide Length	Travel Length	A	B	C	D	# of Holes Outer Rail	Load Rating (kg/pair)	Weight (g)	Box (pcs)
SSR-6-12	304.8 (12")	319 (12-9/16")	-	149.2	260.3	273	7	80 (176 lbs)	610	10
SSR-6-14	355.6 (14")	369.8 (14-9/16")	-	200	311.3	323.8	7	77 (169 lbs)	710	10
SSR-6-16	406.4 (16")	420.6 (16-9/16")	-	250.8	361.9	374.6	7	73 (160 lbs)	810	10
SSR-6-18	457.2 (18")	471.4 (18-9/16")	212.7	301.6	412.7	425.4	8	68 (149 lbs)	920	10
SSR-6-20	508 (20")	522.2 (20-9/16")	238.1	352.4	463.5	476.2	8	65 (143 lbs)	980	10
SSR-6-22	558.8 (22")	573 (22-9/16")	263.5	403.2	514.3	527	8	59 (129 lbs)	1120	10
SSR-6-24	609.6 (24")	623.8 (24-9/16")	288.9	454	565.1	577.8	8	52 (114 lbs)	1230	10
SSR-6-26	660.4 (26")	674.6 (26-9/16")	314.3	504.8	615.9	628.6	8	48 (105 lbs)	1330	10
SSR-6-28	711.2 (28")	725.4 (28-9/16")	339.7	555.6	666.7	679.4	8	41 (90 lbs)	1440	10