

# SSR-10 THREE MEMBER SLIDE

FULL EXTENSION  
POSITIVE STOP  
NON-HANDED

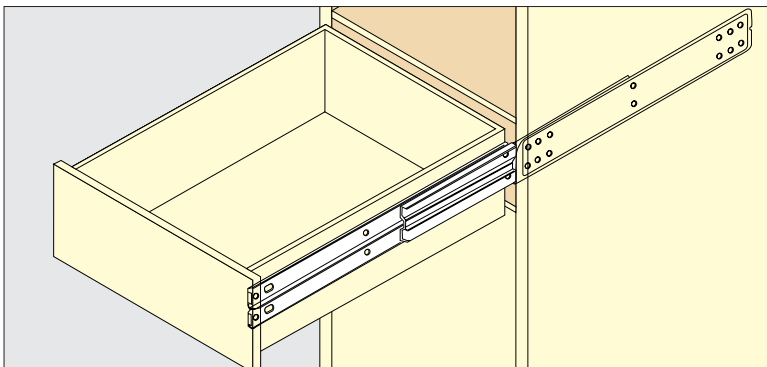
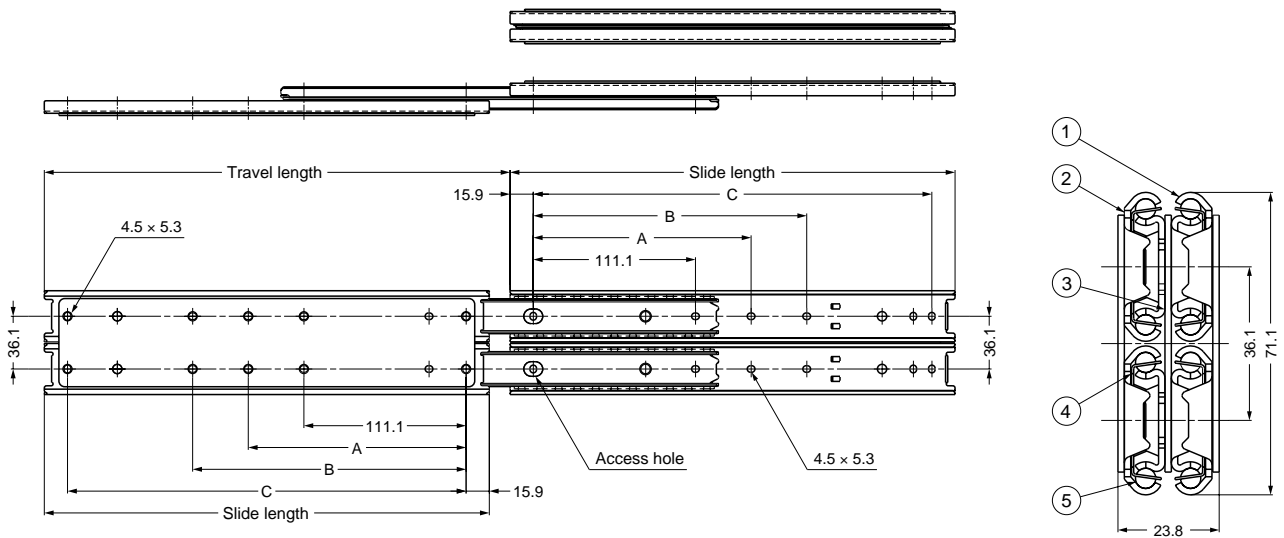


**LOAD RATING**  
182-272kg  
400-599lbs



Screws not included.

NOTE ) M4 bind or truss head screws to be used.



No.	Part	Material
①	Outer Rail	304 Stainless Steel BA
②	Inner Rail	
③	Intermediate Member	
④	Retainer	304 Stainless Steel
⑤	Balls	

Item No.	Slide Length	Travel Length	A	B	C	# of Holes	Load Rating (kg/pair)	Weight (g)	Box (pcs)
SSR-10-12	304.8 (12")	319 (12-9/16")	-	149.2	273	16	272 (599 lbs)	1670	6
SSR-10-14	355.6 (14")	369.8 (14-9/16")	-	200	323.8	16	268 (590 lbs)	2000	6
SSR-10-16	406.4 (16")	420.6 (16-9/16")	-	250.8	374.6	16	259 (570 lbs)	2340	6
SSR-10-18	457.2 (18")	471.4 (18-9/16")	212.7	301.6	425.4	20	250 (550 lbs)	2500	6
SSR-10-20	508 (20")	522.2 (20-9/16")	238.1	352.4	476.2	20	241 (530 lbs)	2840	6
SSR-10-22	558.8 (22")	573 (22-9/16")	263.5	403.2	527	20	229 (504 lbs)	3250	6
SSR-10-24	609.6 (24")	623.8 (24-9/16")	288.9	454	577.8	20	216 (475 lbs)	3500	6
SSR-10-26	660.4 (26")	674.6 (26-9/16")	314.3	504.8	628.6	20	200 (440 lbs)	3840	6
SSR-10-28	711.2 (28")	725.4 (28-9/16")	339.7	555.6	679.4	20	182 (400 lbs)	4170	6